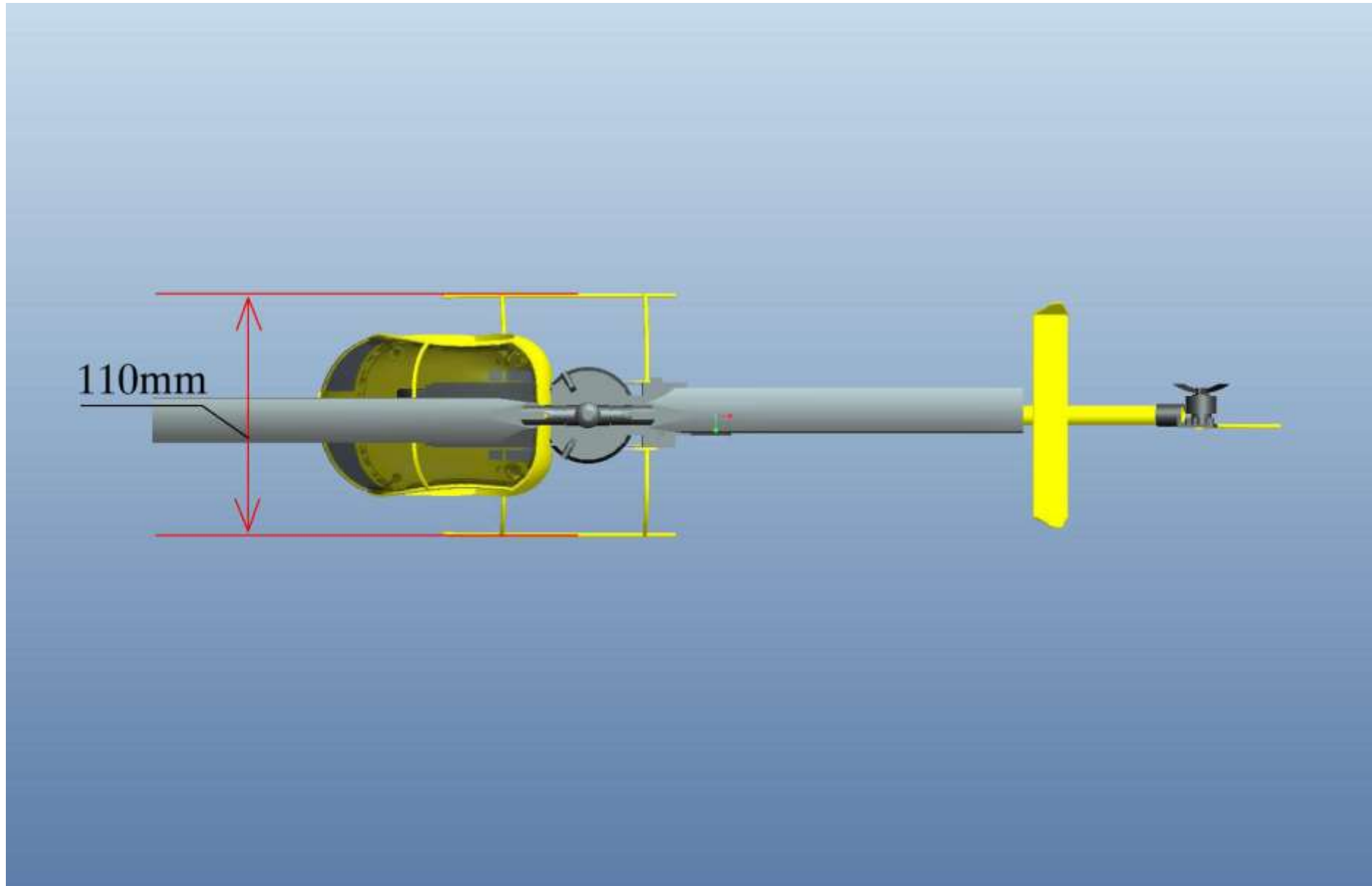
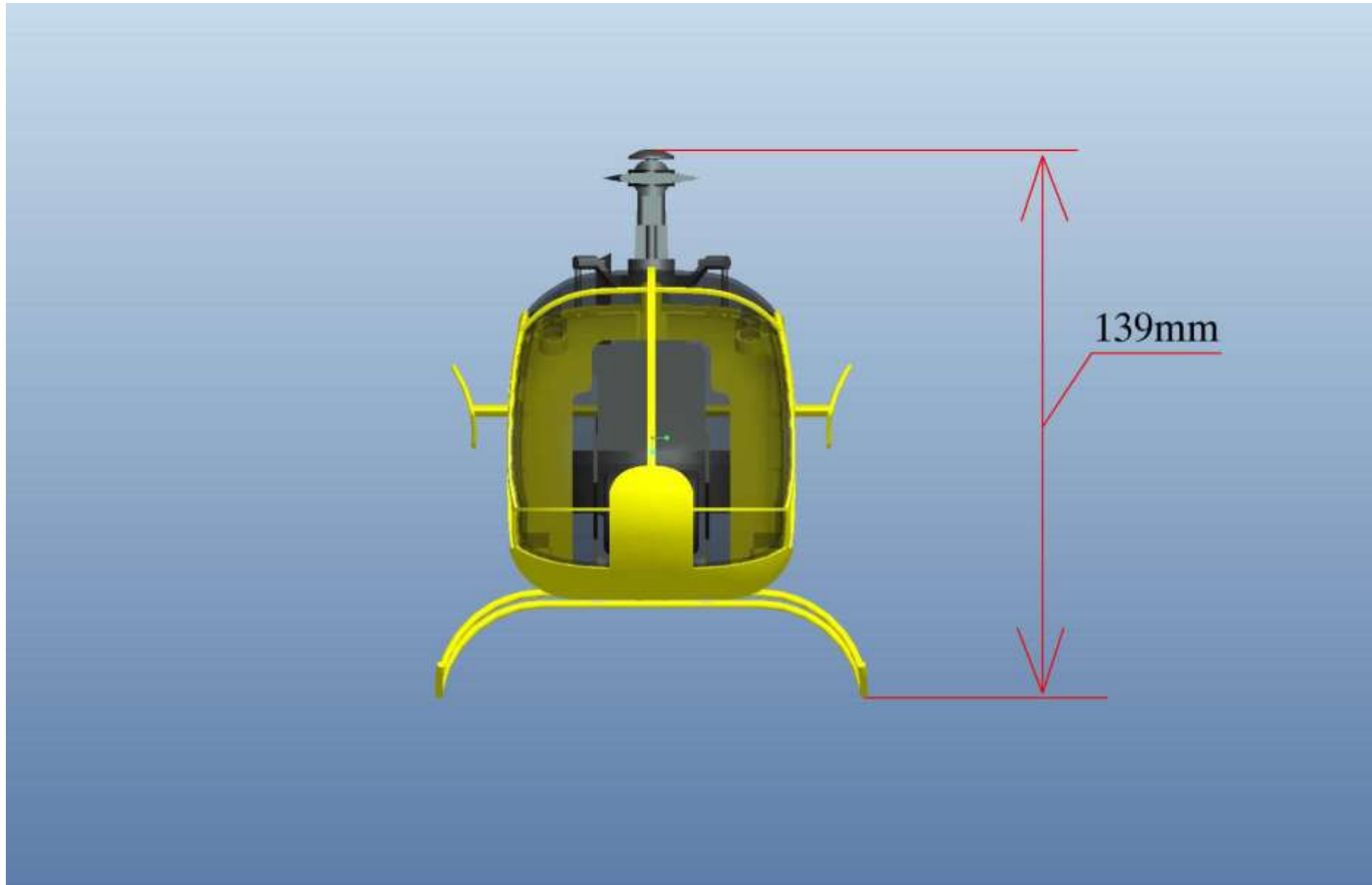
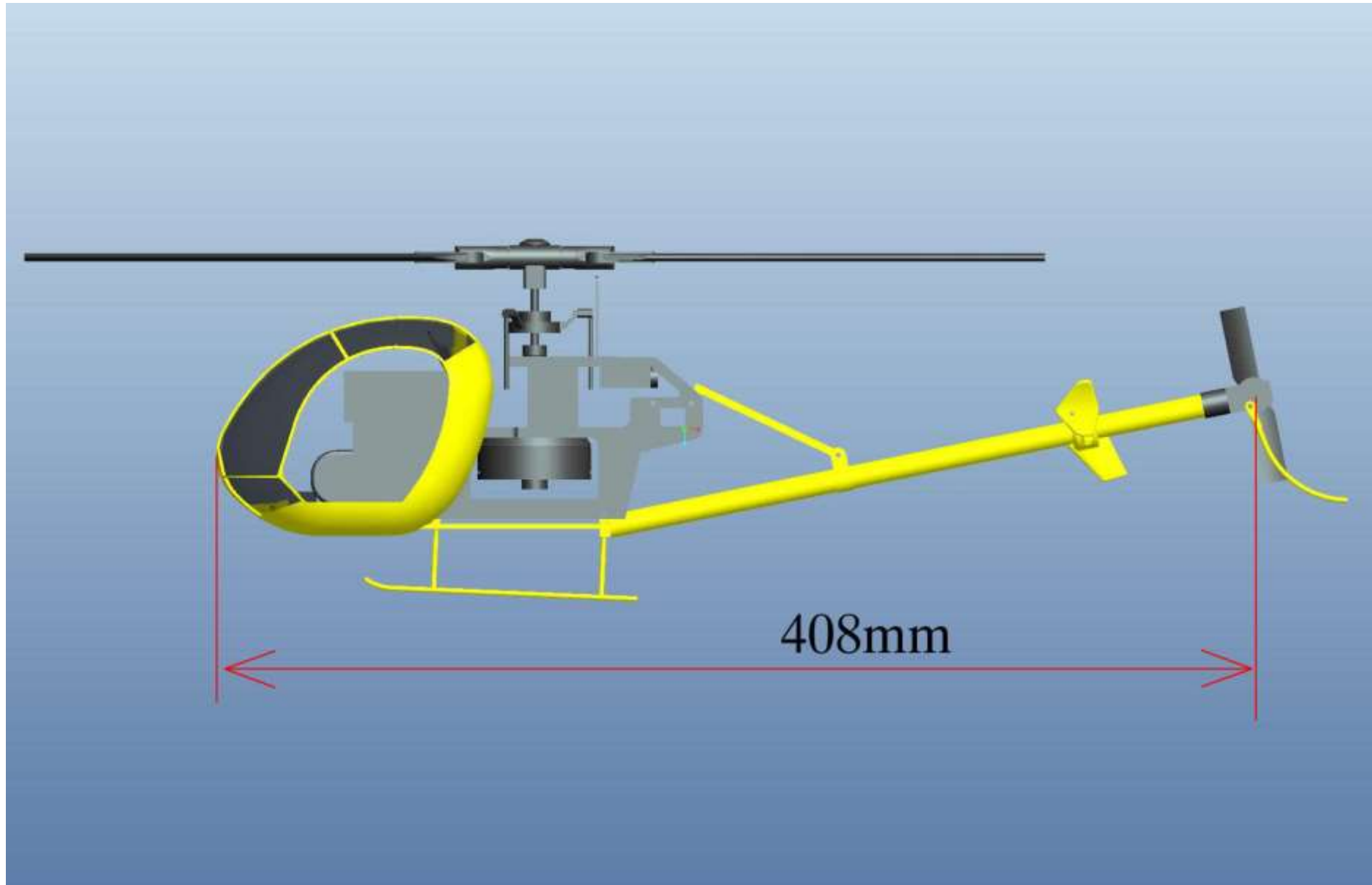


Bauanleitung M2U11 für OMP Hobby M2

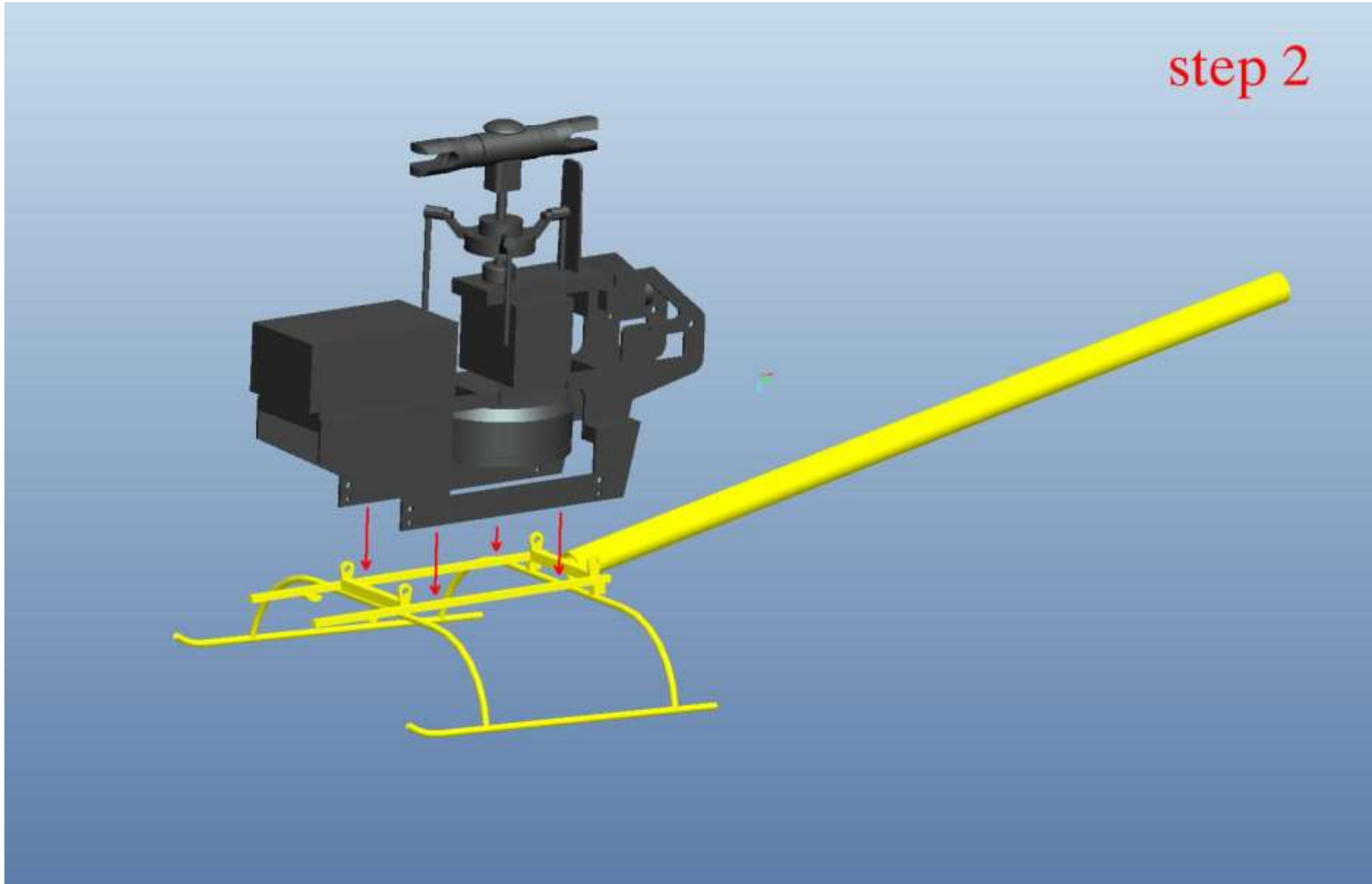




Bauanleitung M2U11 für OMP Hobby M2

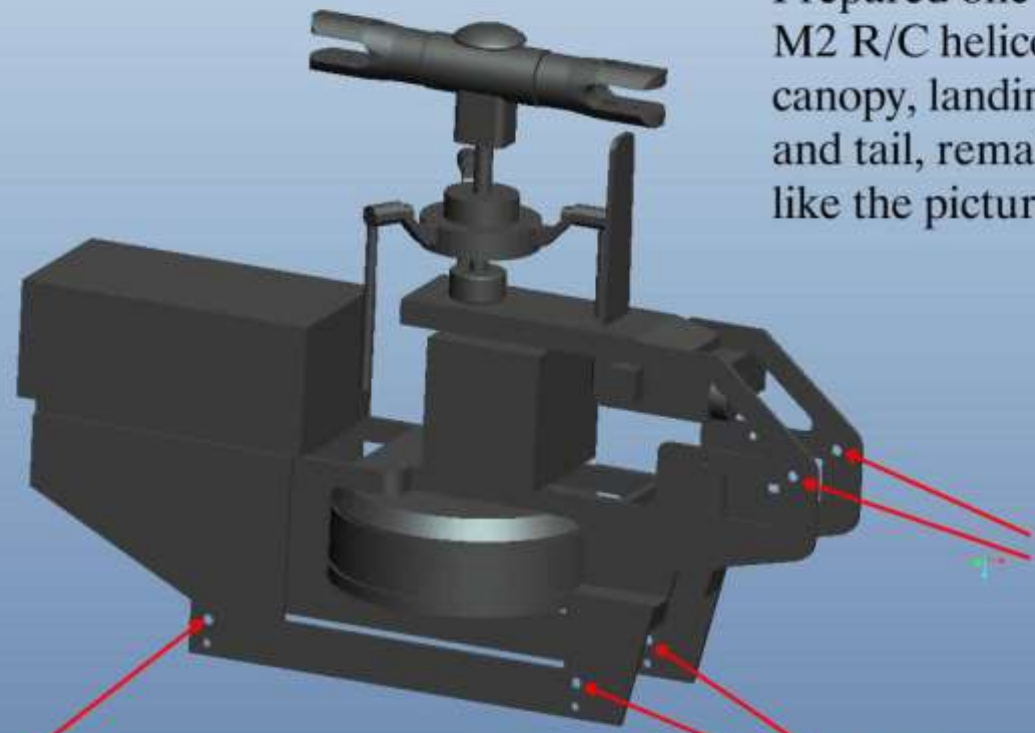


step 2



step 1

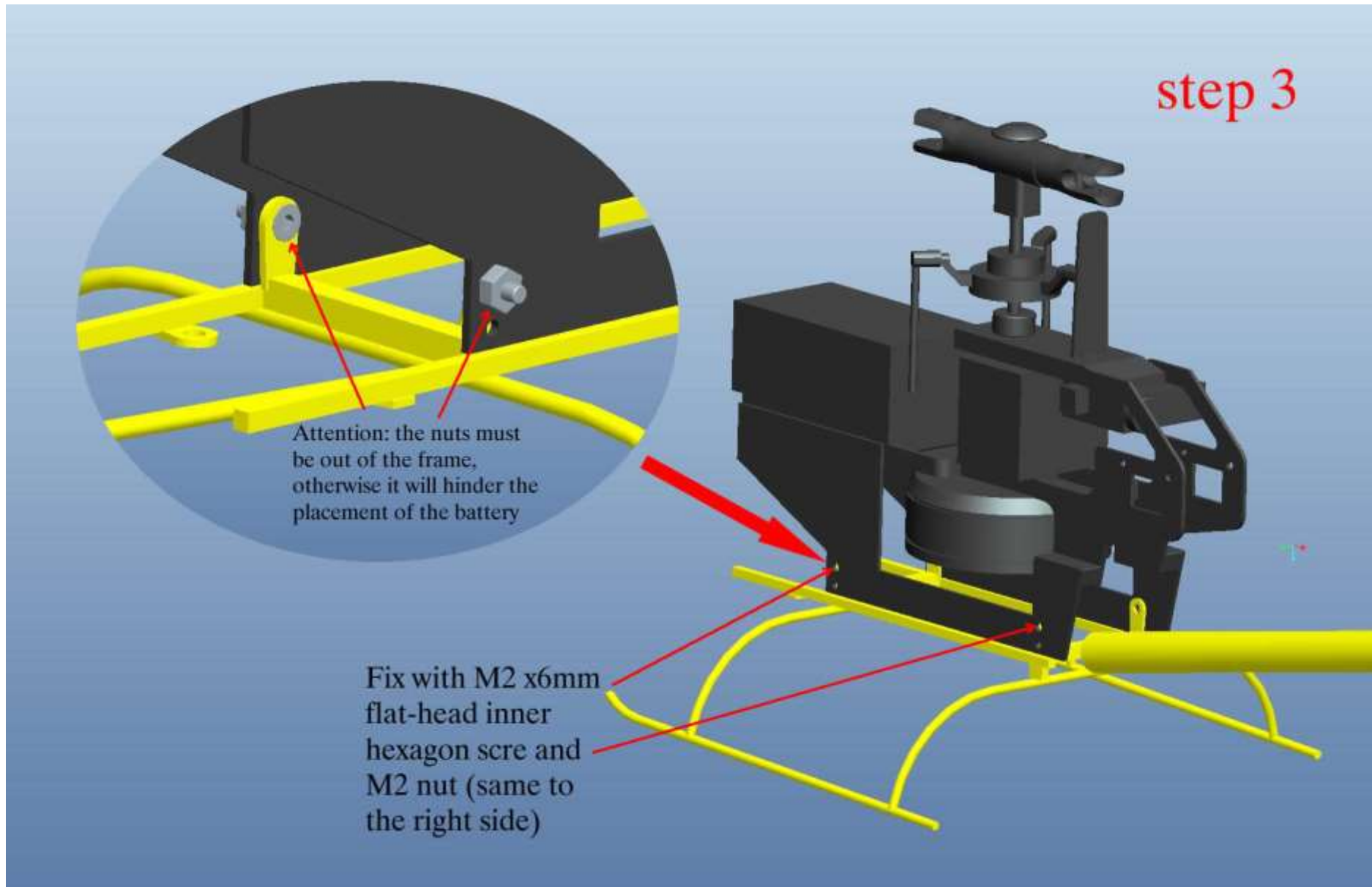
Prepared one OMPHOBBY M2 R/C helicopter, remove the canopy, landing gear ,blades and tail, remain the machine like the picture.



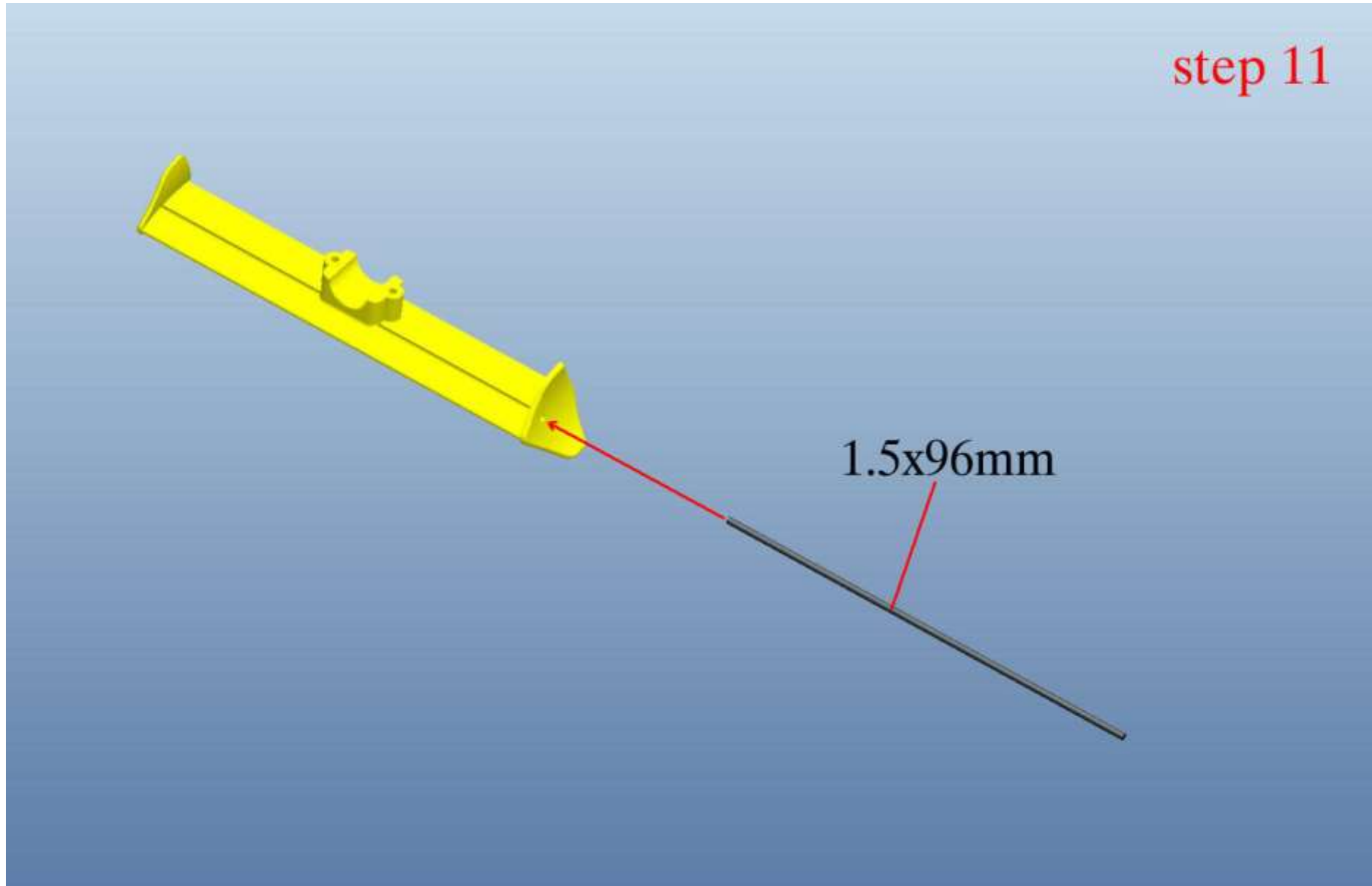
Drill 2mm hole here (same to the right side)

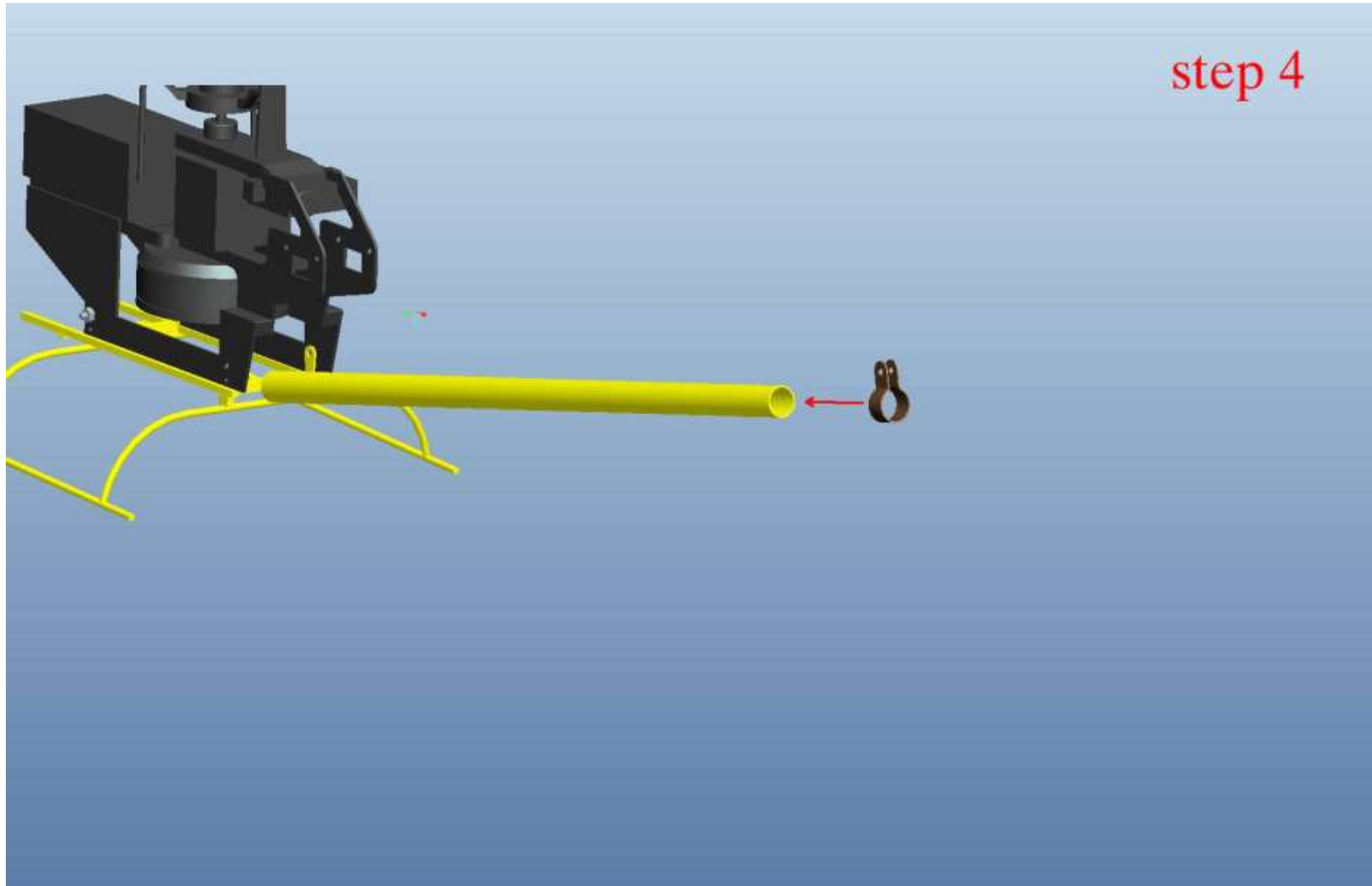
Drill 2mm hole here

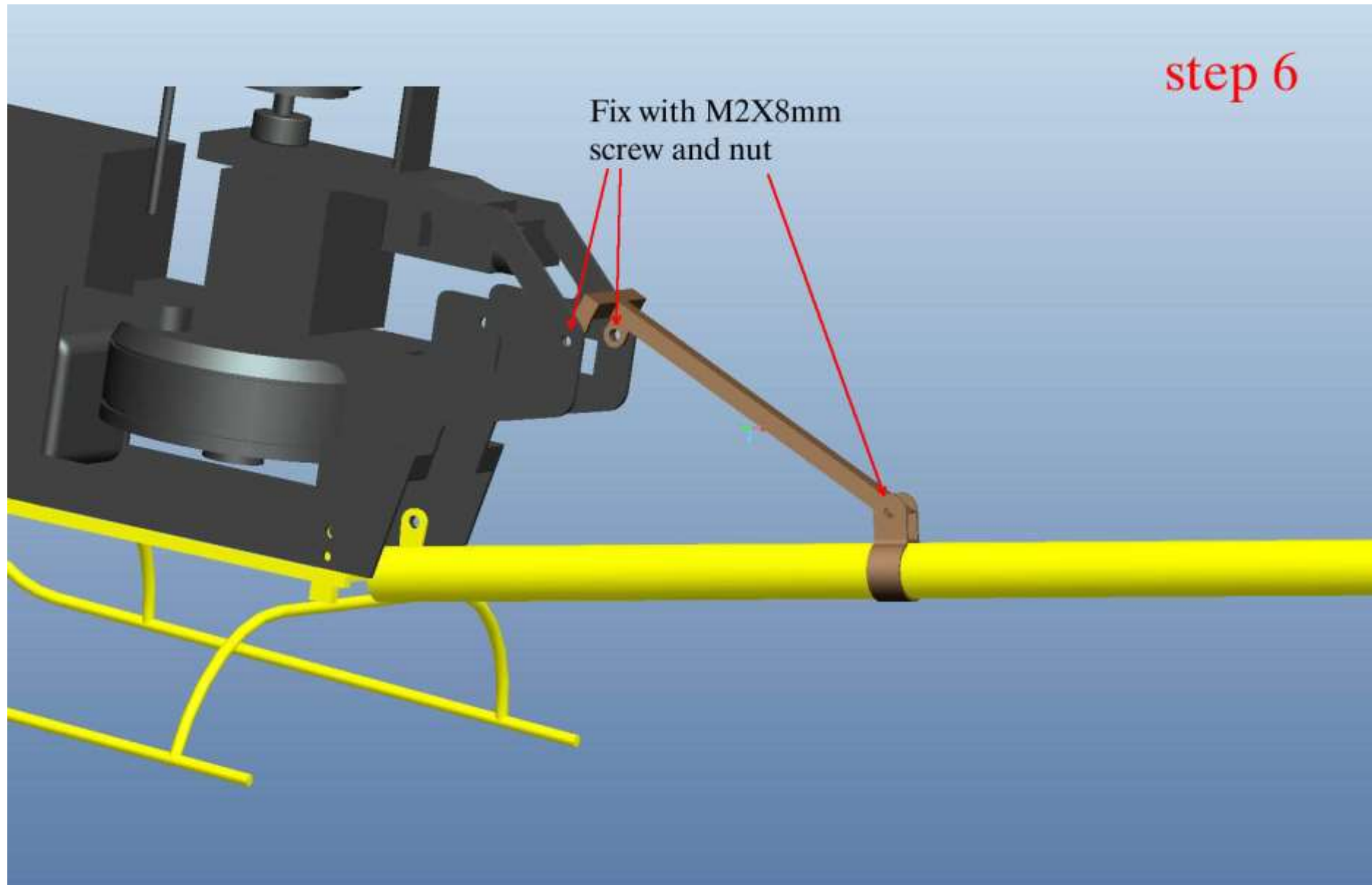
Drill 2mm hole here

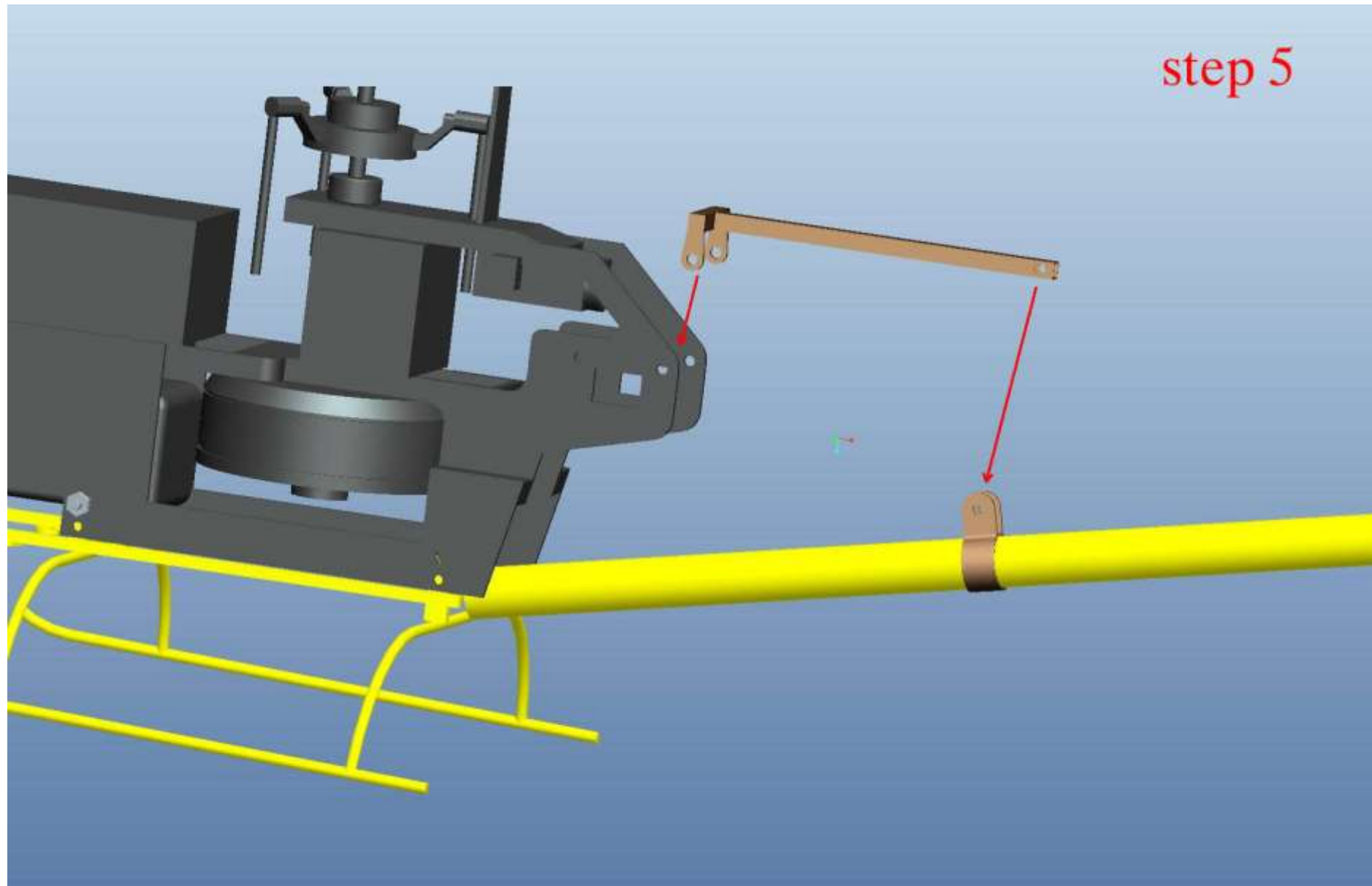


step 11

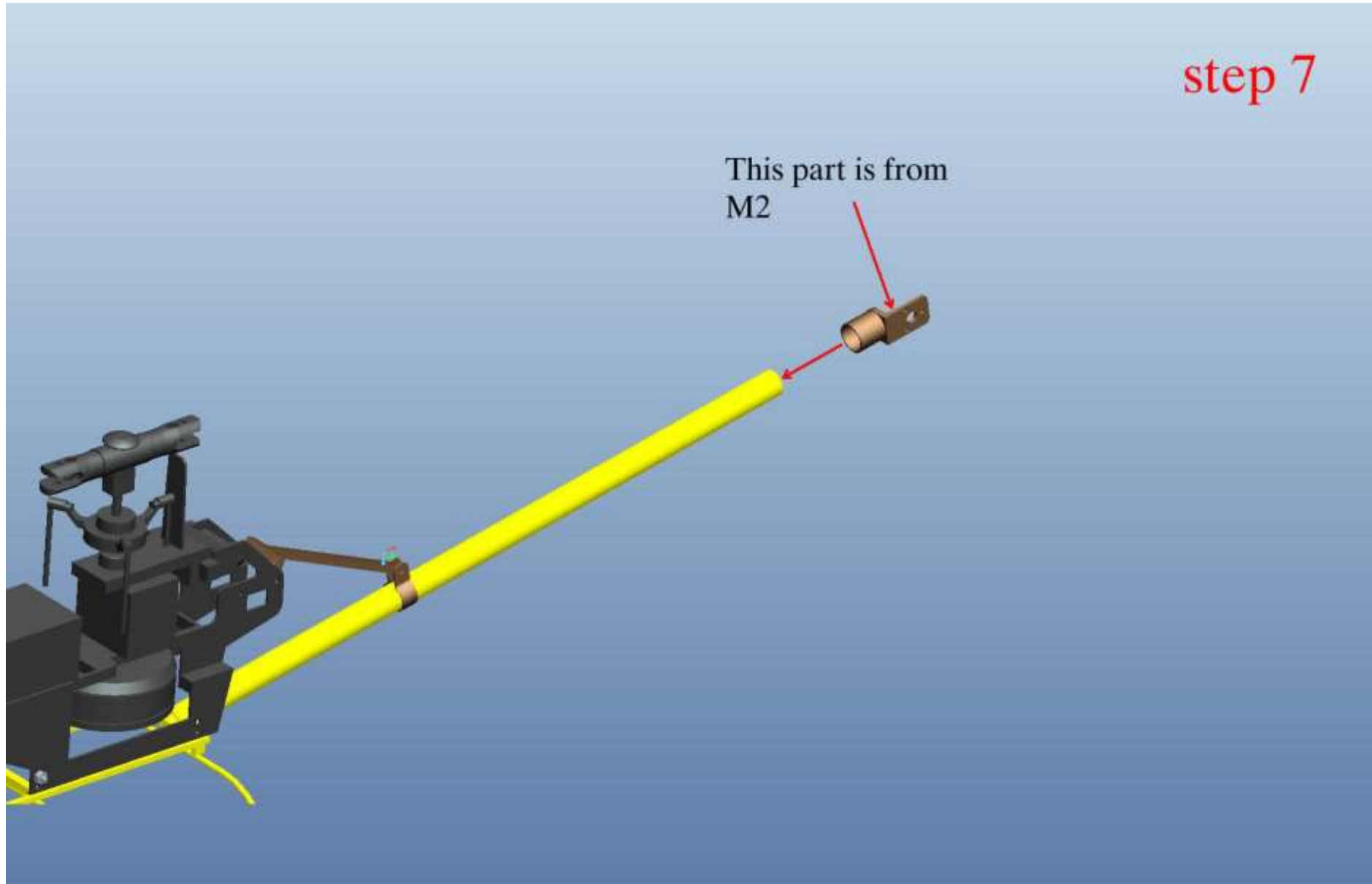


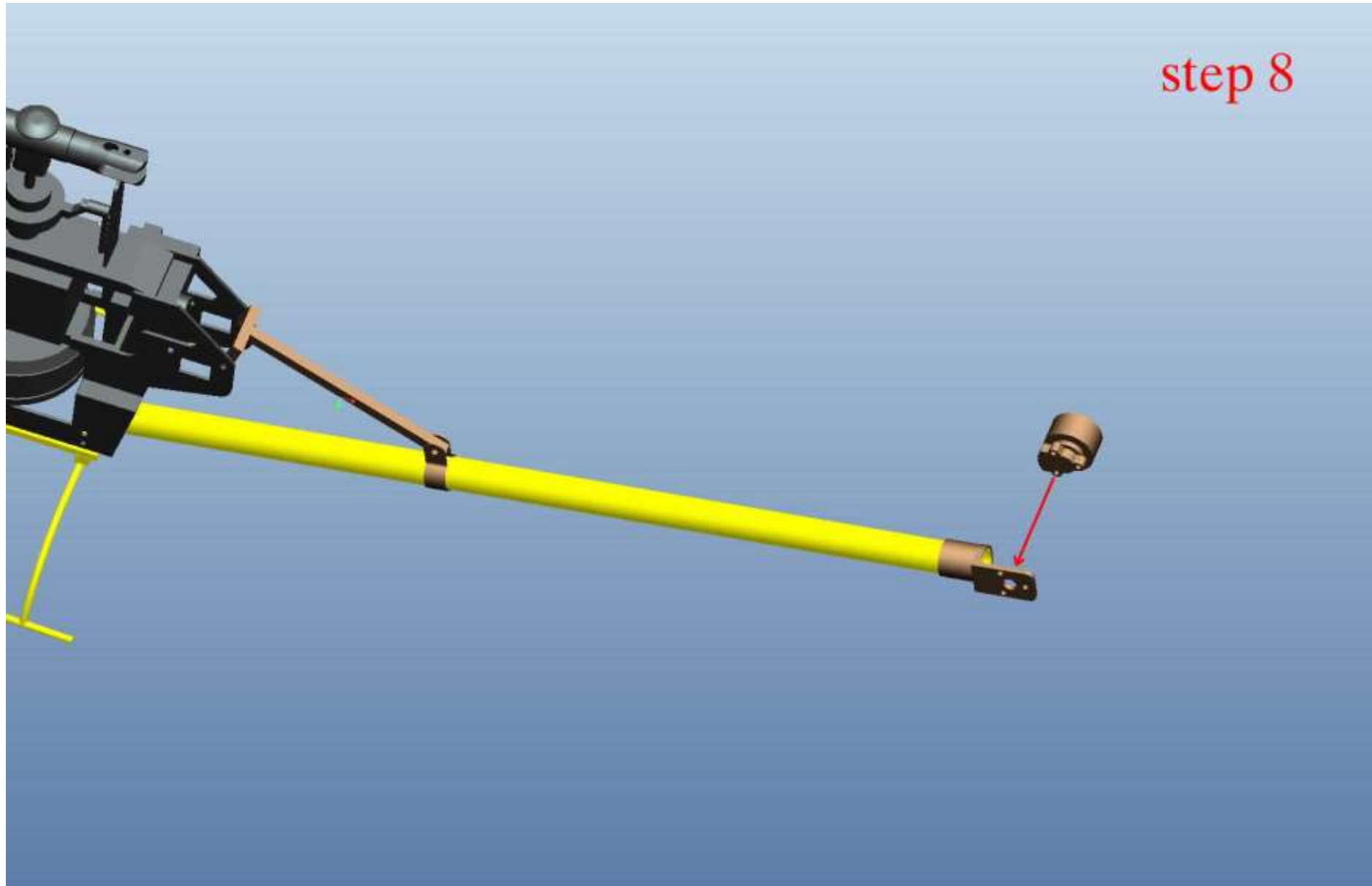


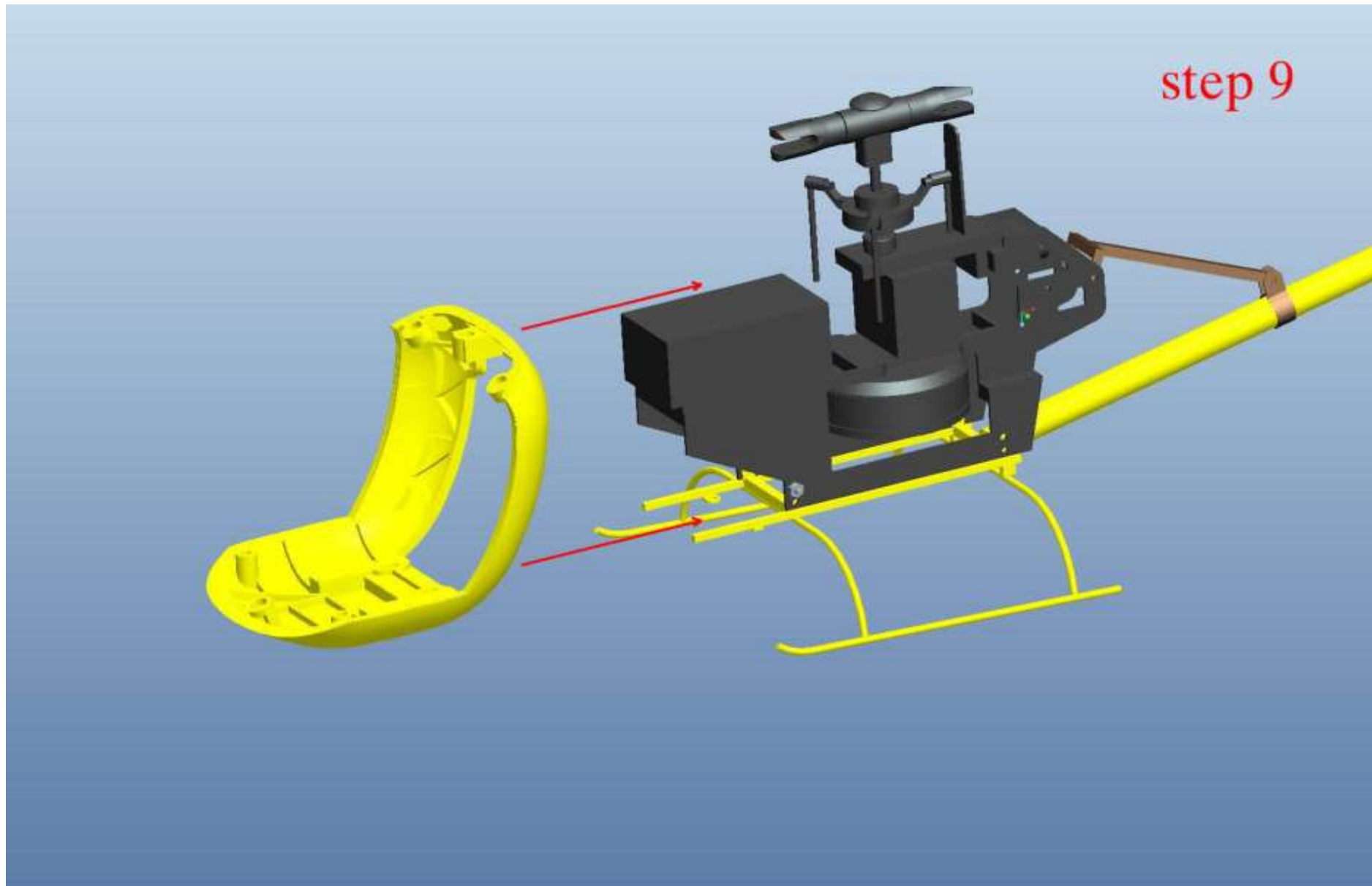




step 7

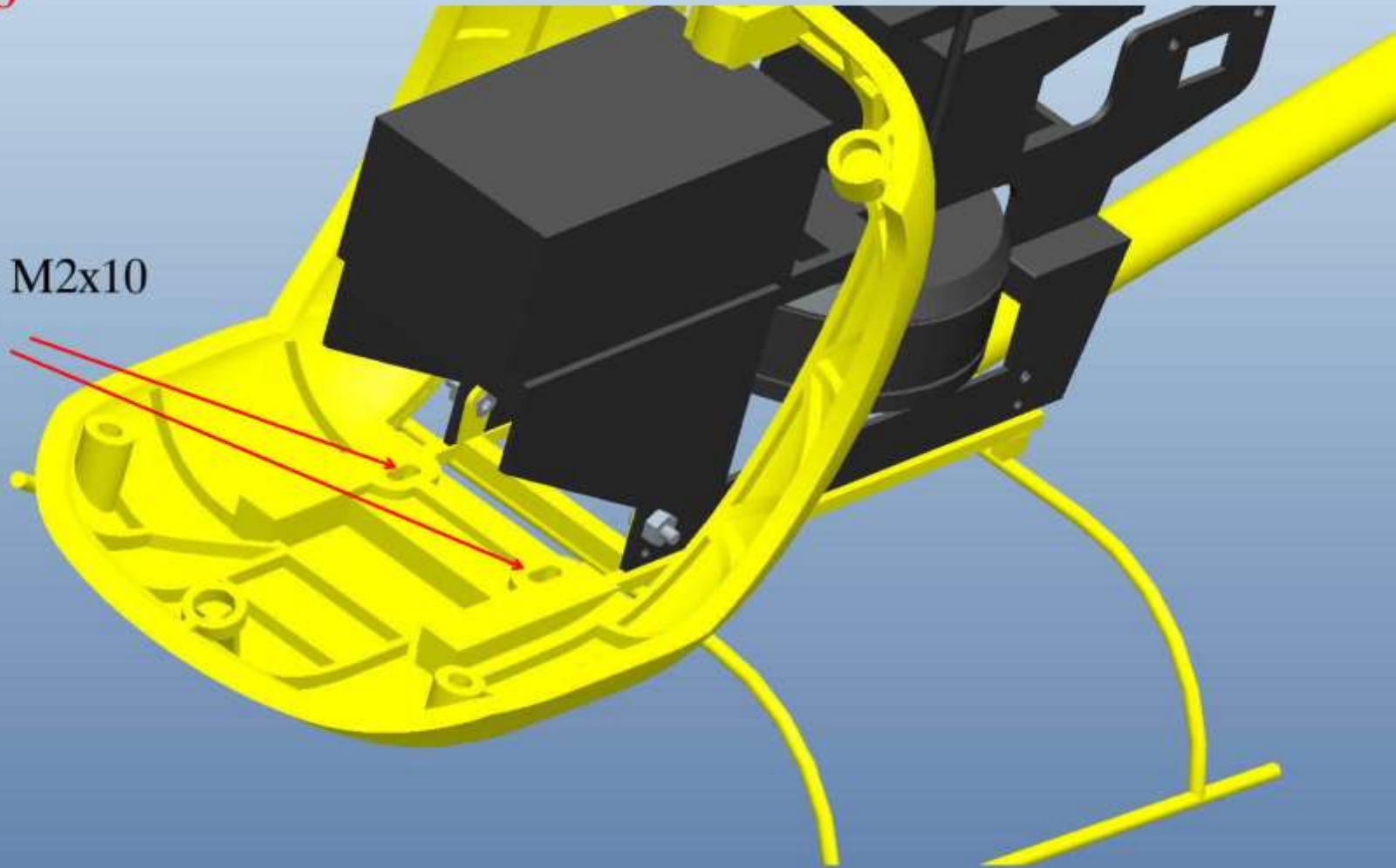




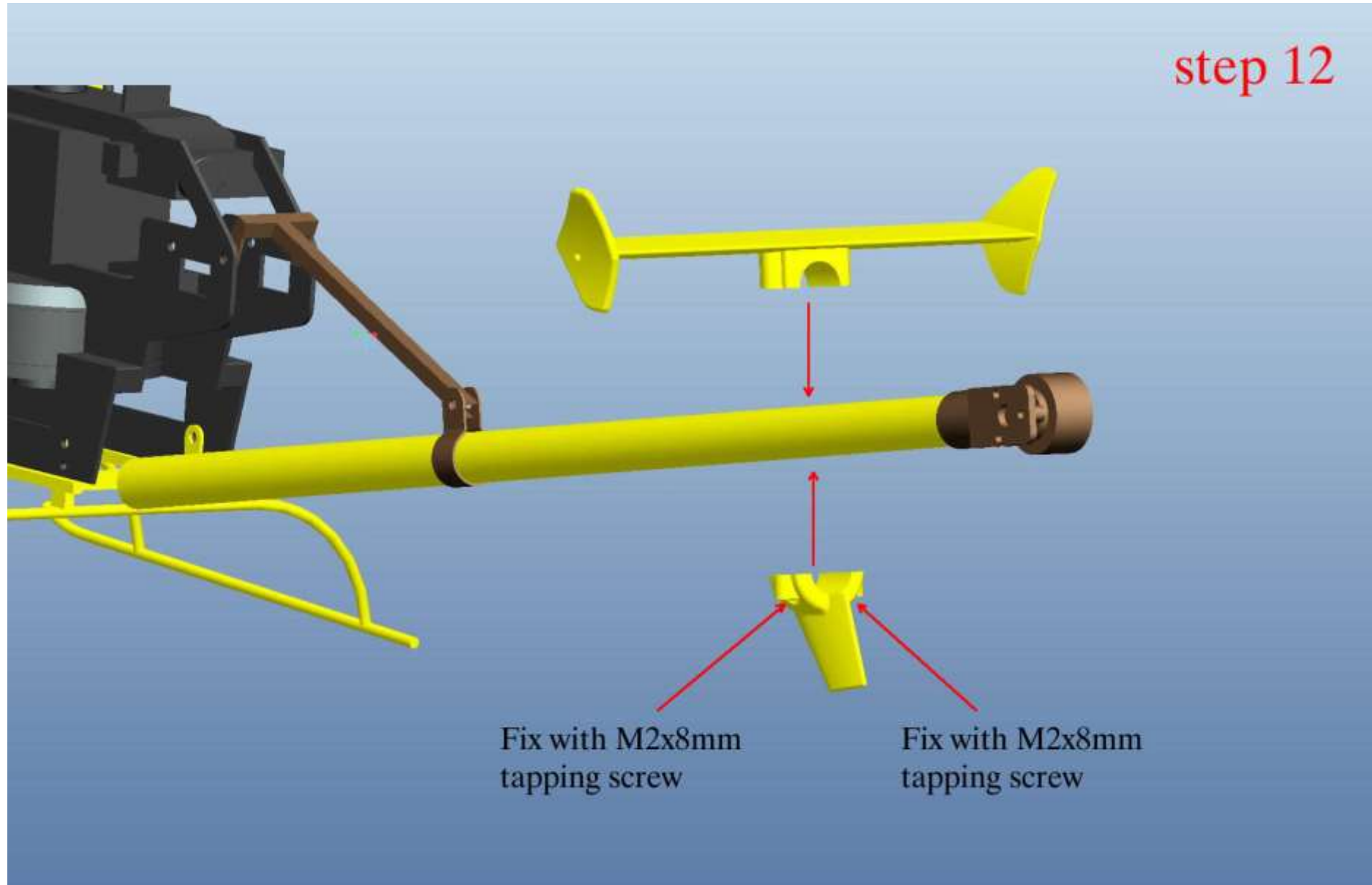


step 10

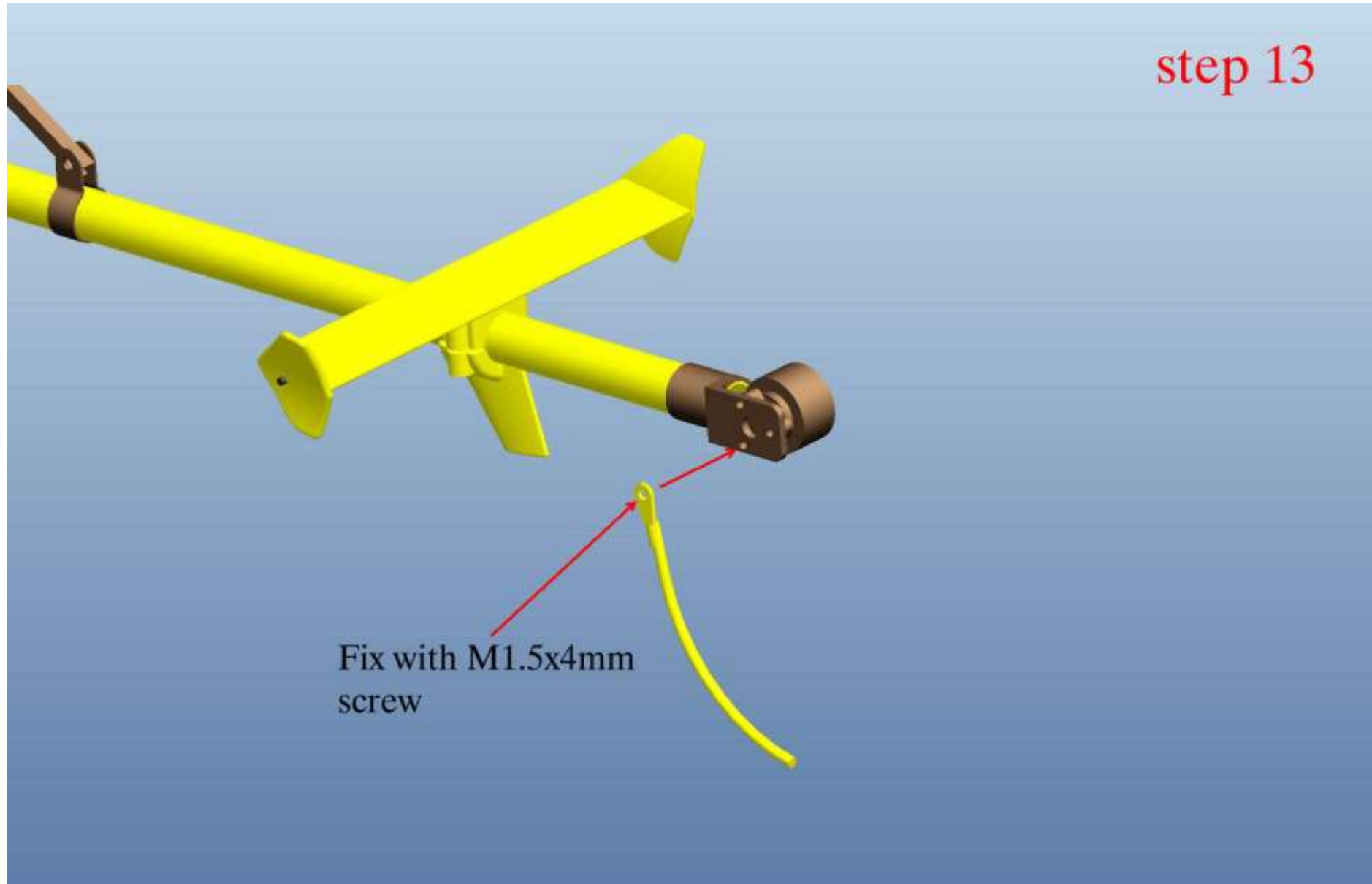
Fix with M2x10
and nut



step 12



step 13



Fix with M1.5x4mm
screw